

# Request for new capacitor Fixed



## General Data

Project No.: \_\_\_\_\_ Preferred Series \_\_\_\_\_  
 Agent: \_\_\_\_\_  
 Customer: \_\_\_\_\_

- Replacement Type  
 New Type

Applications: \_\_\_\_\_

Comments: \_\_\_\_\_

Quantity: \_\_\_\_\_ Pieces/Year: \_\_\_\_\_ Potential: \_\_\_\_\_

## Similar Types

COMET: \_\_\_\_\_

JENNINGS: \_\_\_\_\_

OTHERS: \_\_\_\_\_

## Electrical Data

Peak Test Voltage: \_\_\_\_\_ kV Cooling: \_\_\_\_\_

Peak Working Voltage: \_\_\_\_\_ kV

Frequency Range from: \_\_\_\_\_ MHz

to: \_\_\_\_\_ MHz

Current max \_\_\_\_\_ A RMS

at: \_\_\_\_\_ MHz

DC-Application:  no  yes \_\_\_\_\_ kV

## Capacitance Range

Cmax: \_\_\_\_\_ pF

Tolerances:  $\pm$  \_\_\_\_\_ pF or  $\pm$  \_\_\_\_\_ %

## Mounting Data

Mounting  $\emptyset$  \_\_\_\_\_ Kind of Mounting \_\_\_\_\_ Options \_\_\_\_\_  
 \_\_\_\_\_  
 \_\_\_\_\_  
 \_\_\_\_\_

# Request for new capacitor Fixed



## Dimensions

Dimension are in:  Inch  Millimeters

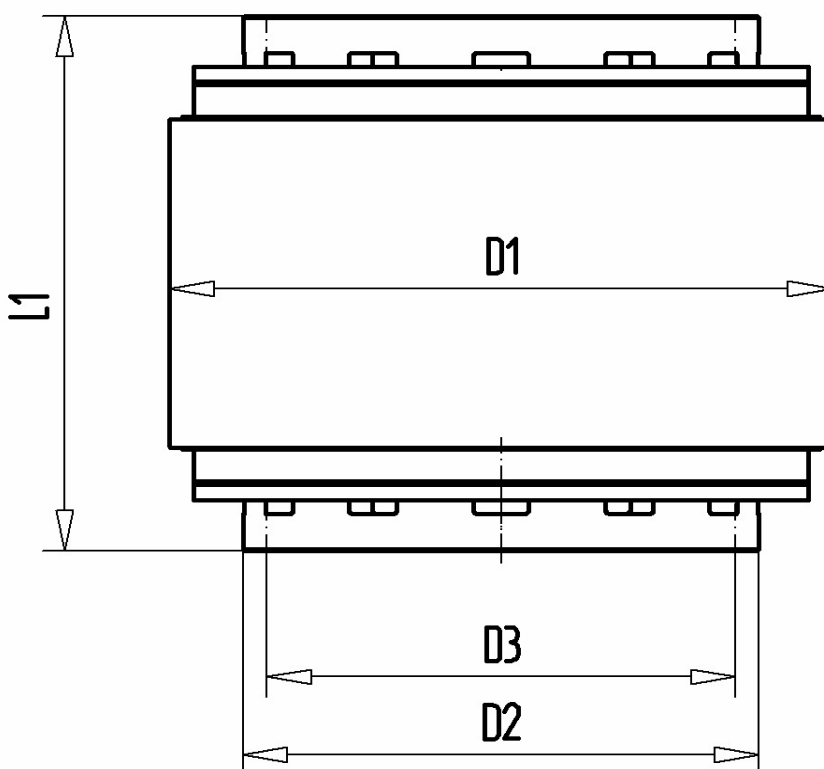
D1: \_\_\_\_\_

D2: \_\_\_\_\_

L1: \_\_\_\_\_

L2: \_\_\_\_\_

L3: \_\_\_\_\_



## Expected Type Designation

**CF\*\_\*\_\*/\*\_\*\_\*\_\*\_\*\_\***

Comments:

---

---

---

---