

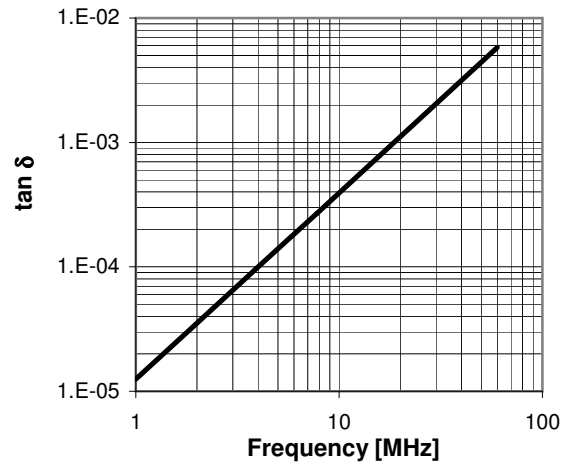
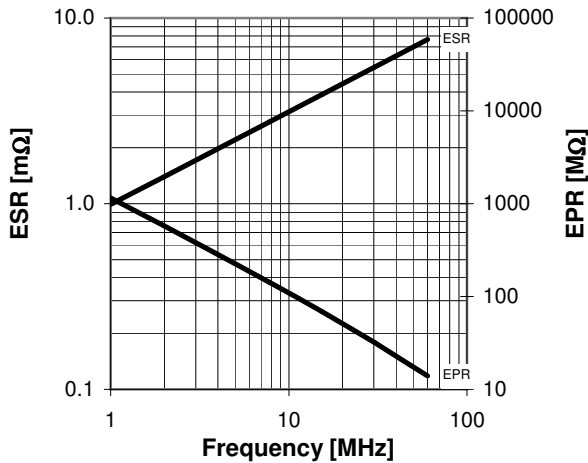
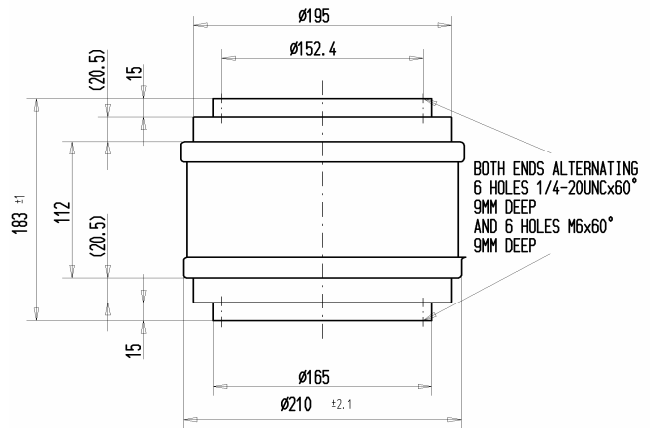
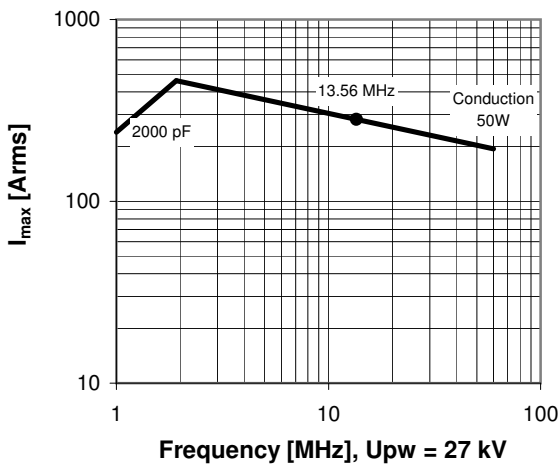
CFLA-2000BAC/45-PC-G

Old Type Designation: CF3C-2000E

www.comet.ch

Specifications	
Capacity C_{max} (nominal)	2000 pF
Voltage (Peak Test U_{pt} / Peak Working U_{pw})	45 kV / 27 kV
Capacity Tolerance	5%
Max. Current I_{max} at 13.56 MHz with Conduction Cooling	282 Arms 50 W
Net Weight	10 kg

I_{max} at 25°C ambient and 125°C surface temp. for convection and conduction (50 W) cooling



Special Features:
Capacity Tolerance 5%