

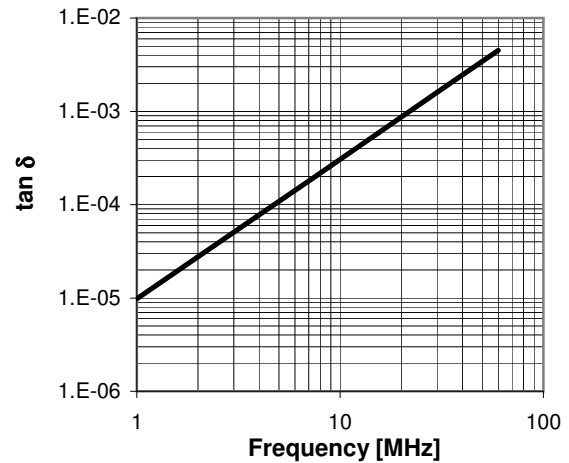
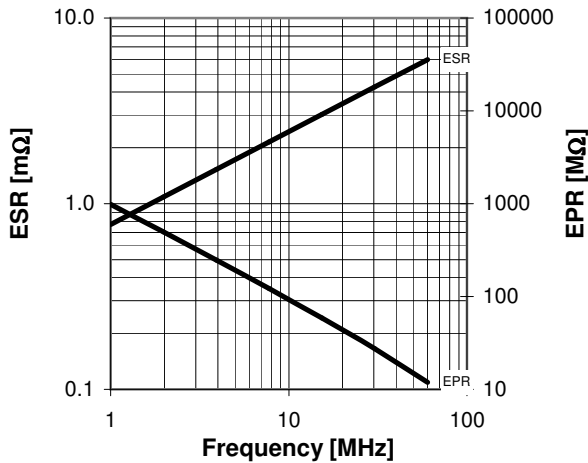
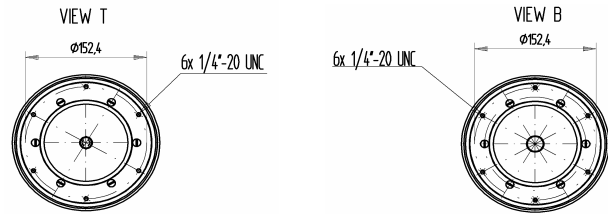
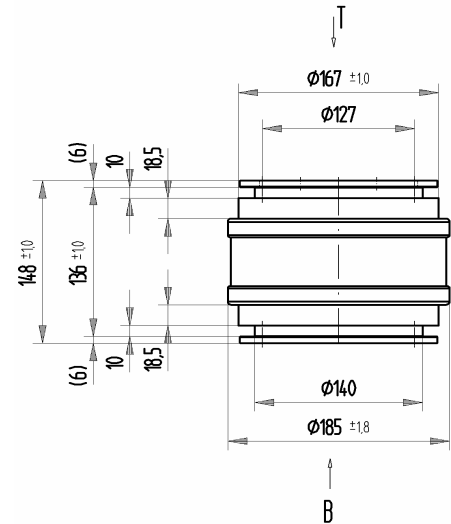
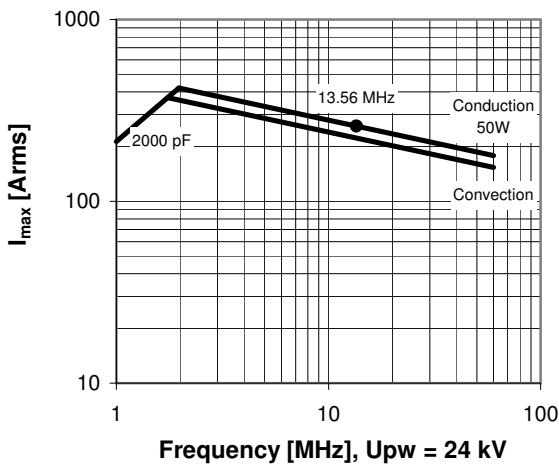
# CFMA-2000ABC/40-PG-G

Old Type Designation: CF2C-2000F

www.comet.ch

Specifications	
Capacity $C_{max}$ (nominal)	2000 pF
Voltage (Peak Test $U_{pt}$ / Peak Working $U_{pw}$ )	40 kV / 24 kV
Capacity Tolerance	5%
Max. Current $I_{max}$ at 13.56 MHz with	259 Arms
Conduction Cooling	50 W
Net Weight	7.3 kg
Mounting Flange (optional)	058-050

$I_{max}$  at 25°C ambient and 125°C surface temp. for convection and conduction (50 W) cooling



Special Features:
Capacity Tolerance 5%