

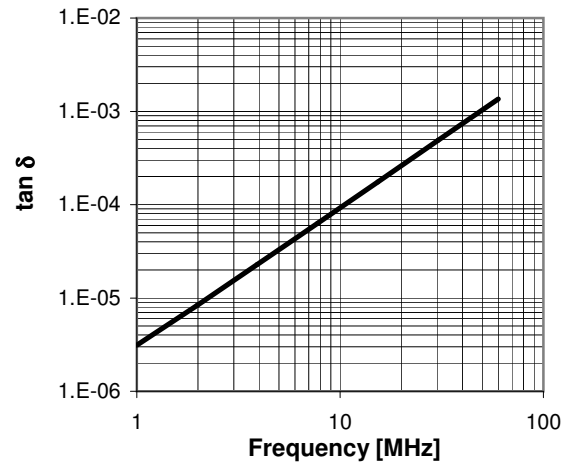
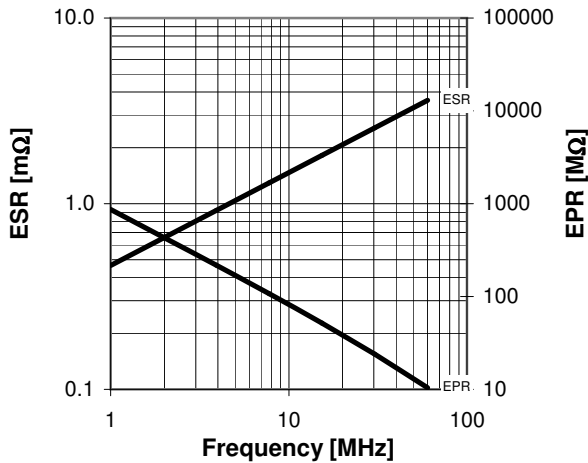
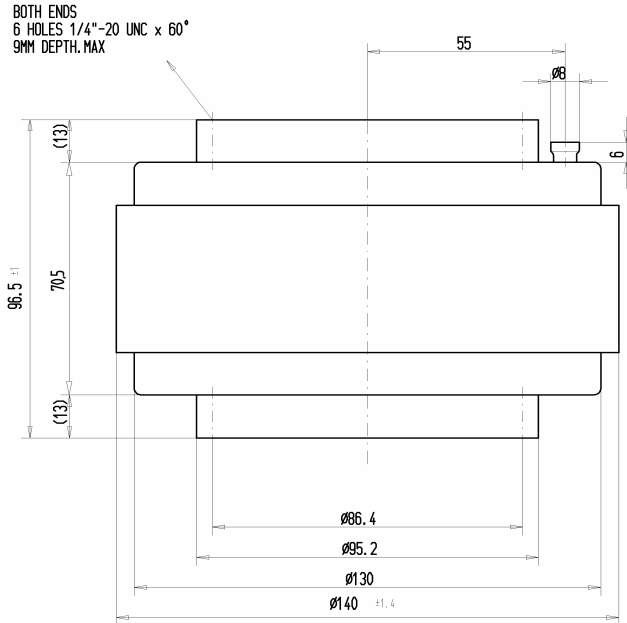
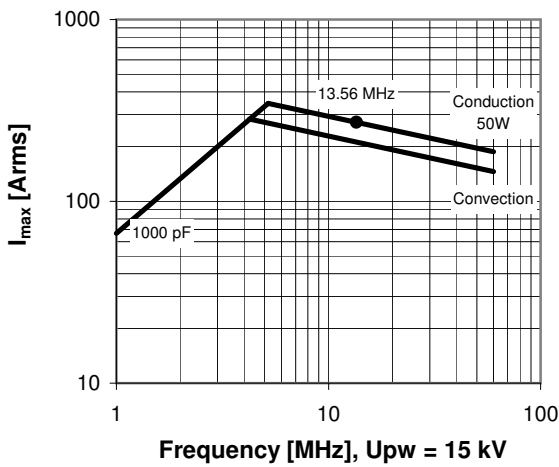
# CFSA-1000DAC/25-GC-G

Old Type Designation: CF1C-1000H

www.comet.ch

Specifications	
Capacity $C_{max}$ (nominal)	1000 pF
Voltage (Peak Test $U_{pt}$ / Peak Working $U_{pw}$ )	25 kV / 15 kV
Capacity Tolerance	5%
Max. Current $I_{max}$ at 13.56 MHz with	271 Arms
Conduction Cooling	50 W
Net Weight	3.5 kg

$I_{max}$  at 25°C ambient and 125°C surface temp. for convection and conduction (50 W) cooling



Special Features:
Capacity Tolerance 5%